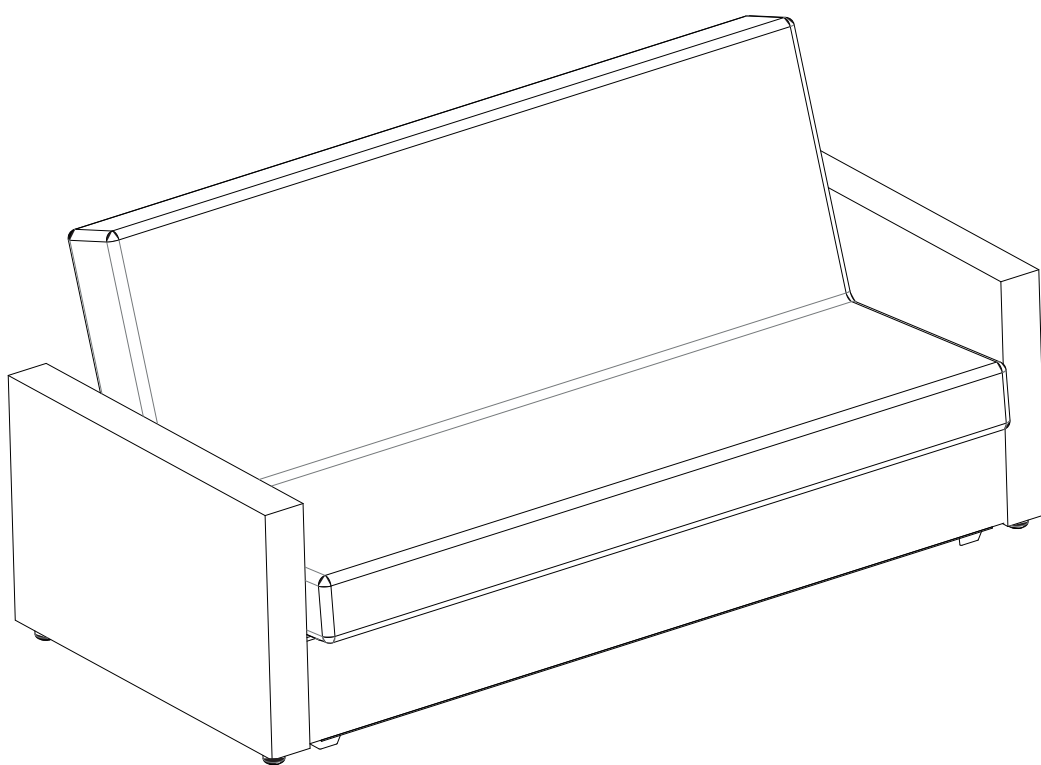
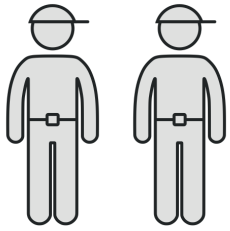
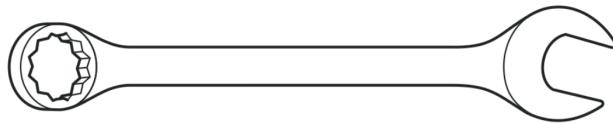
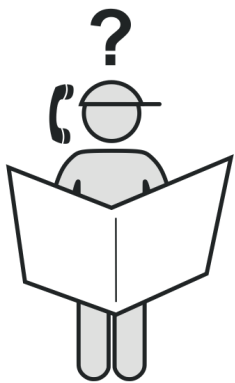
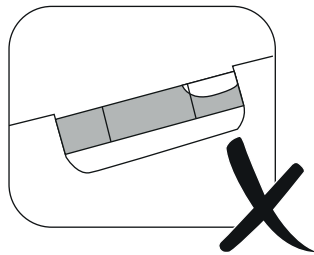
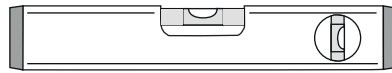
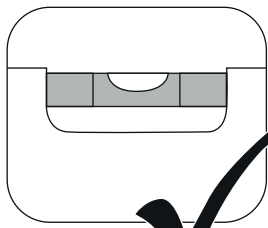
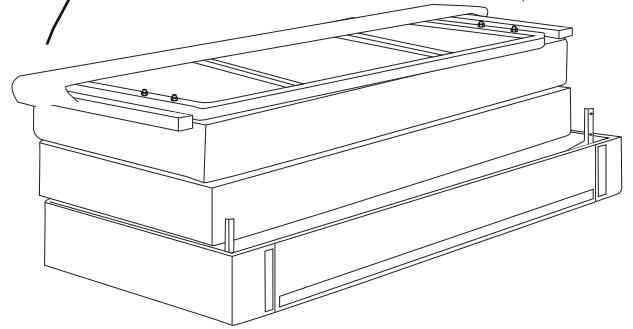
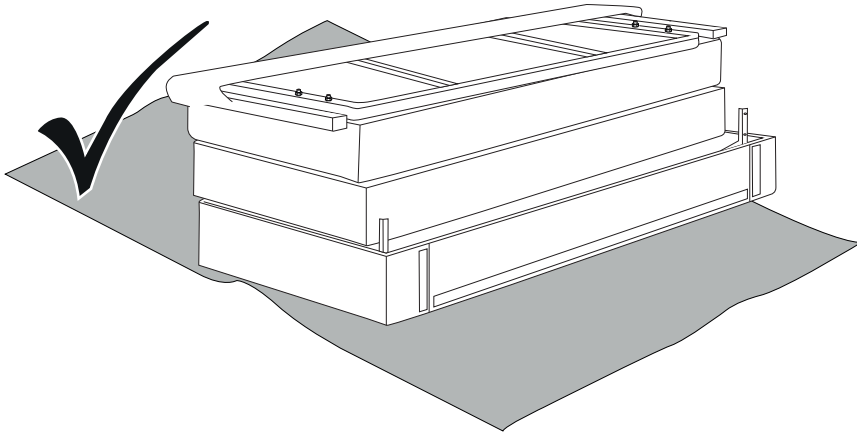
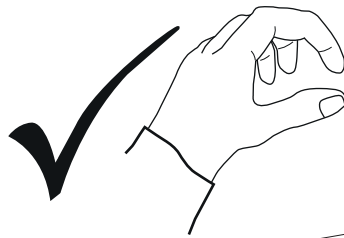


# Клайд



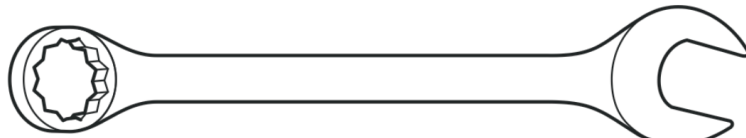


15-20 min



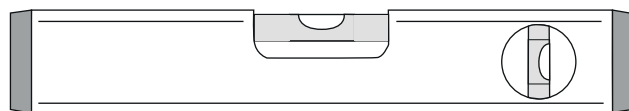
10

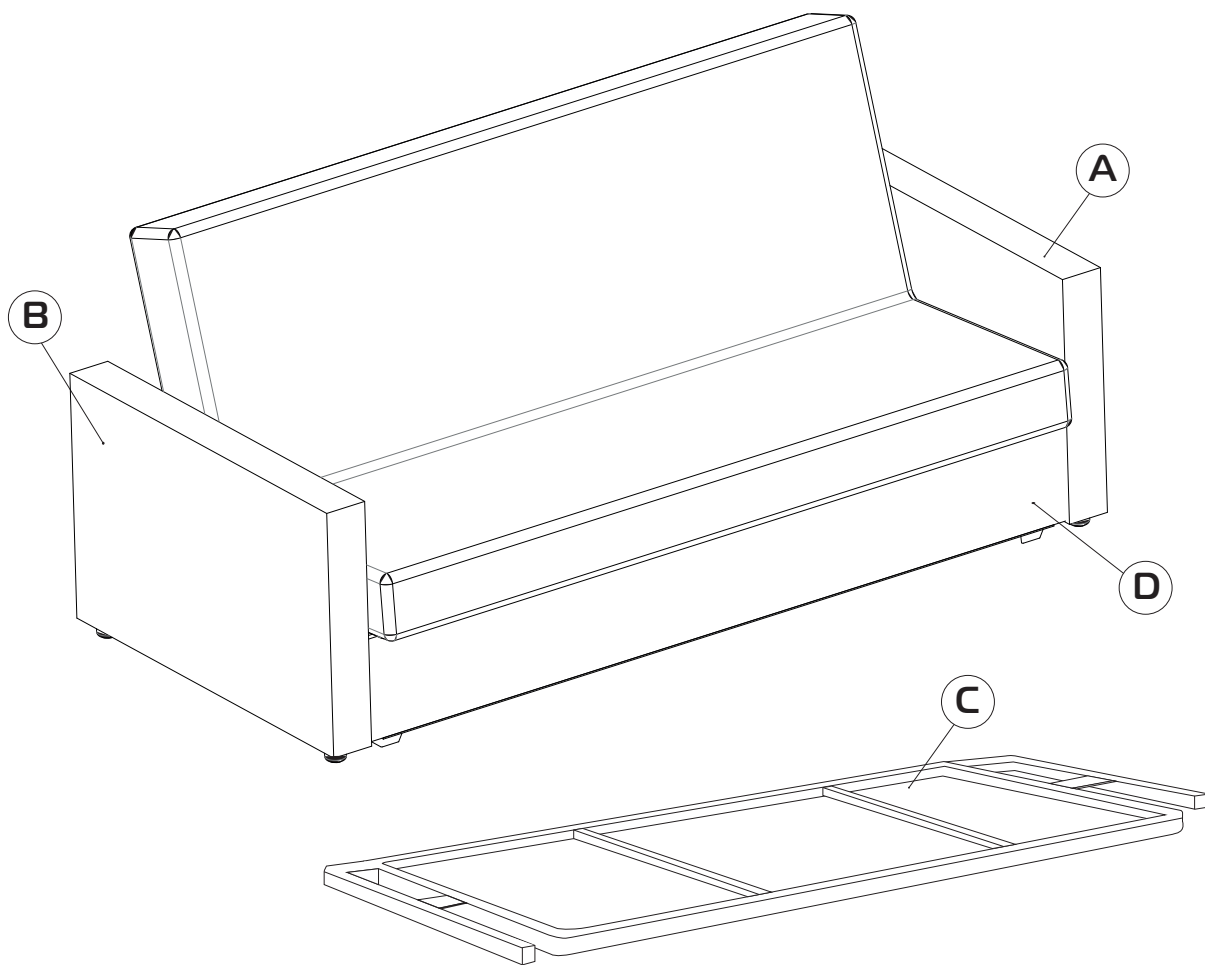
10



13

13





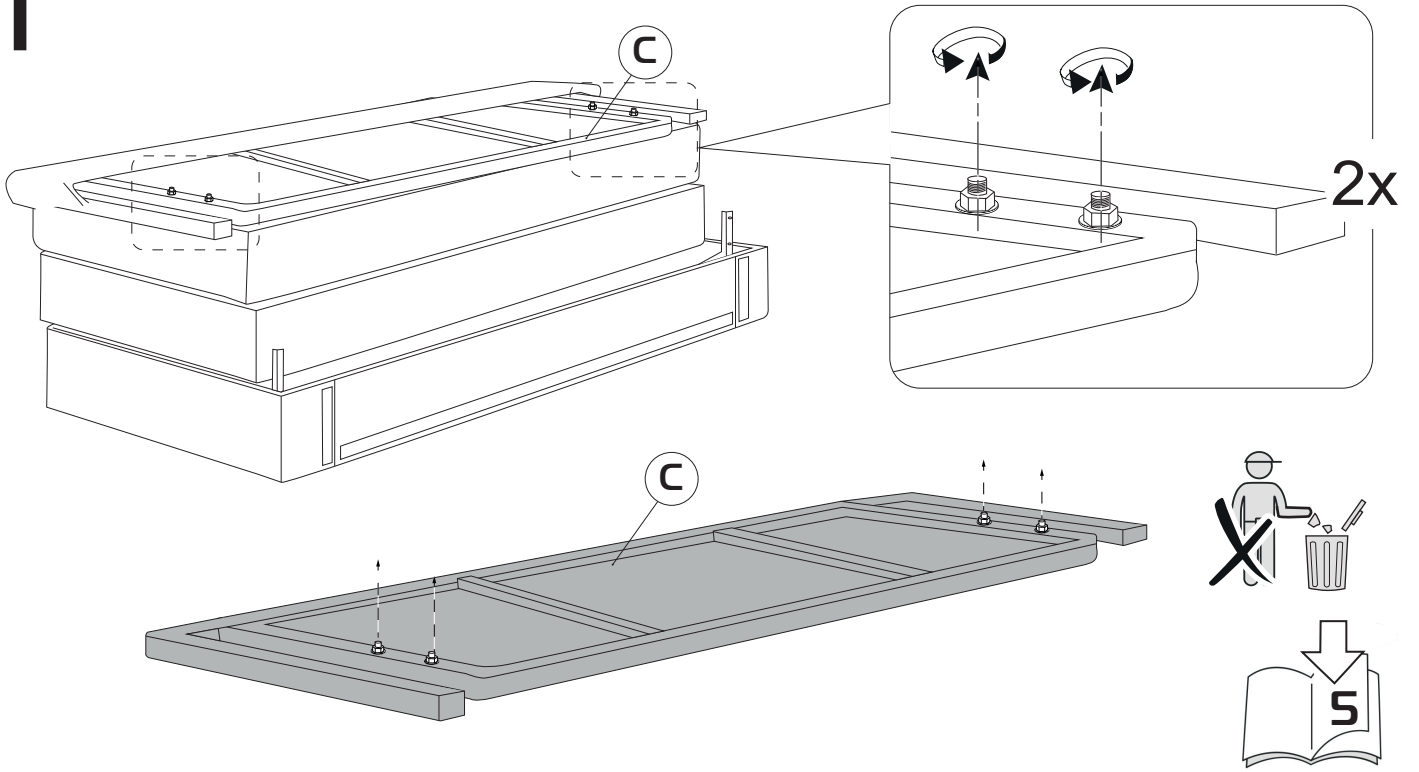
A - x1

B - x1

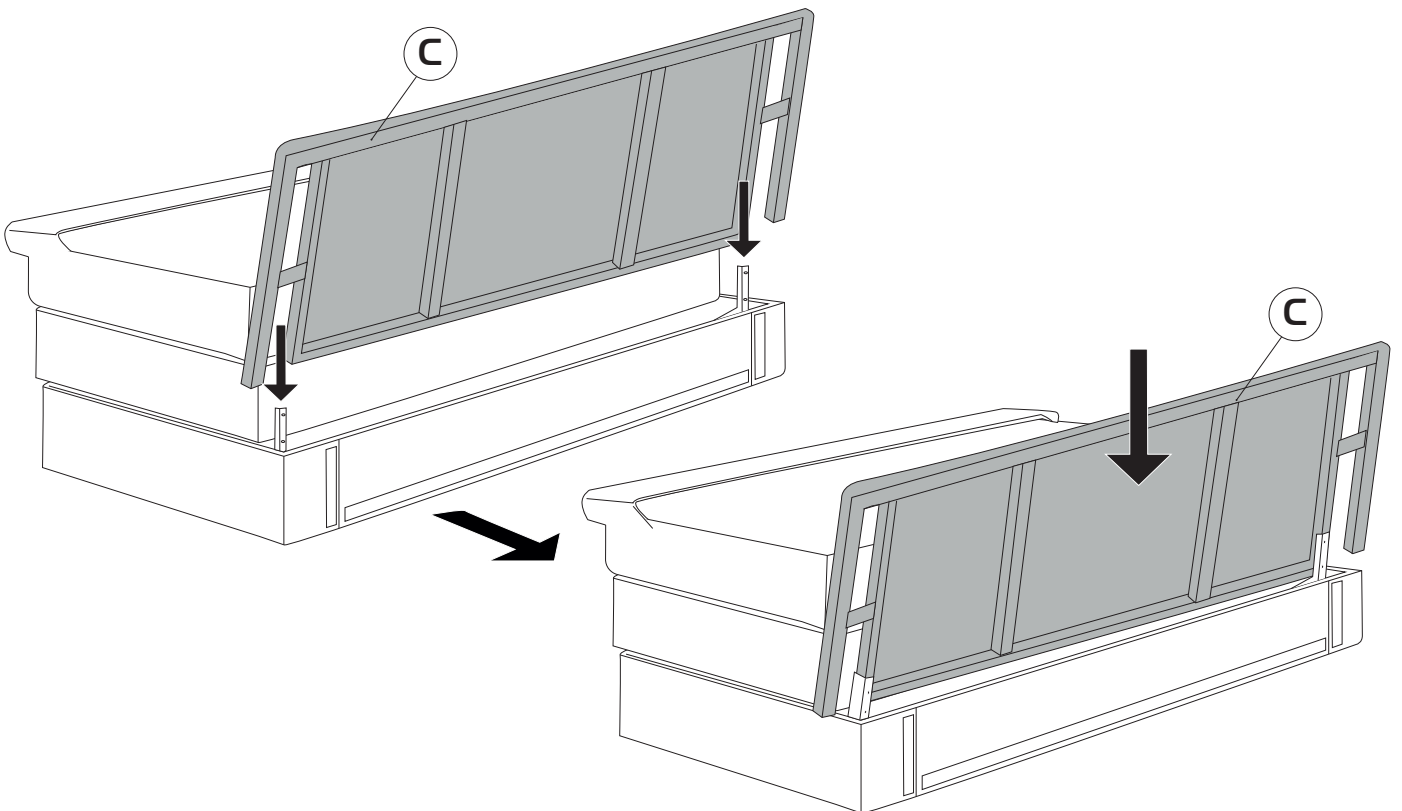
C - x1

D - x1

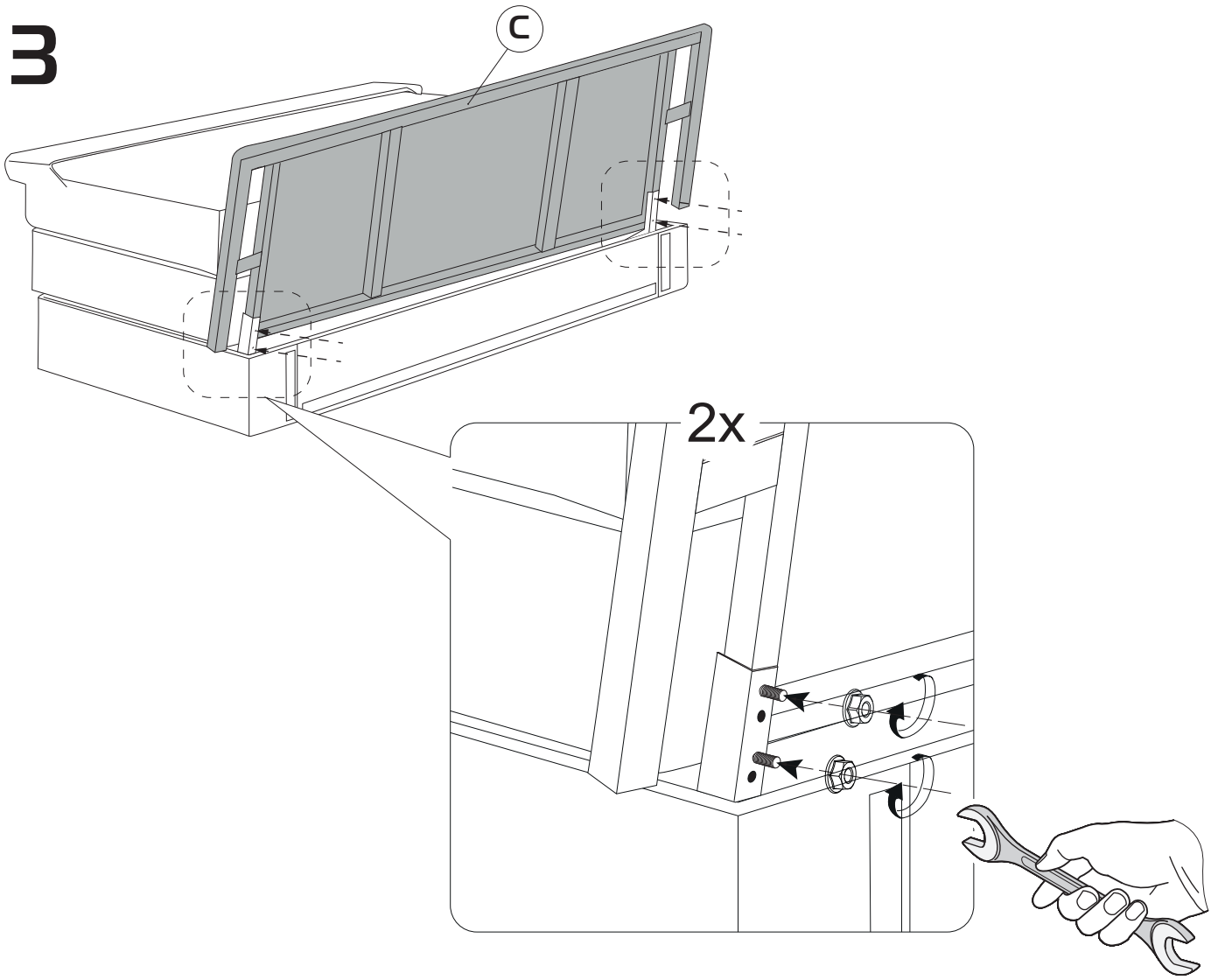
1



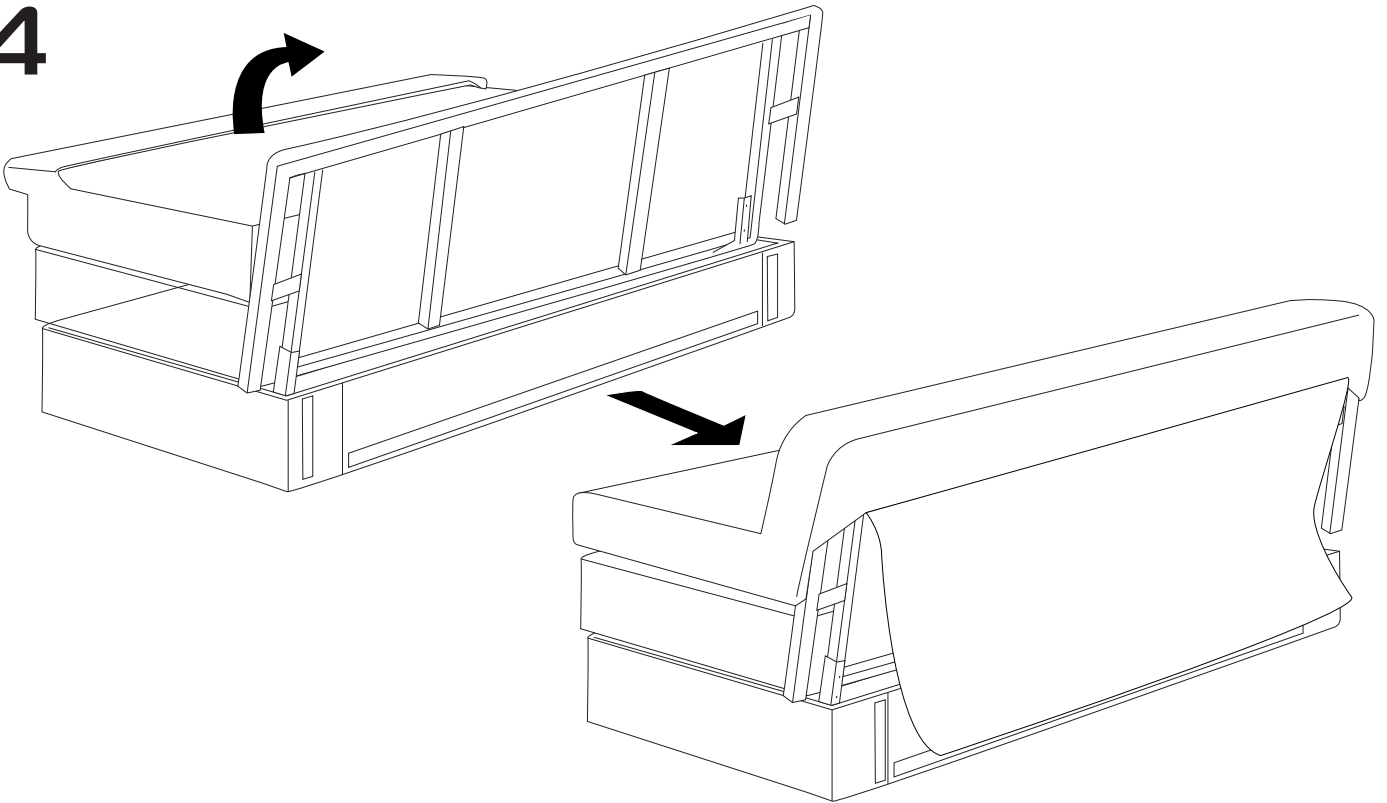
2



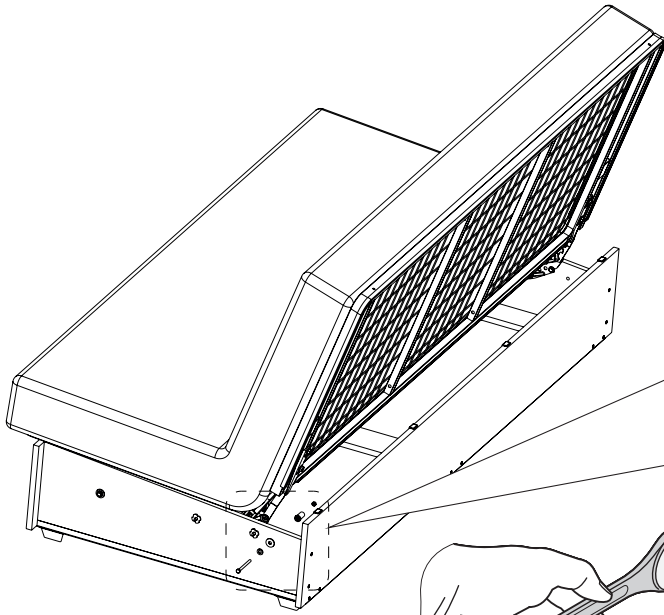
3



4



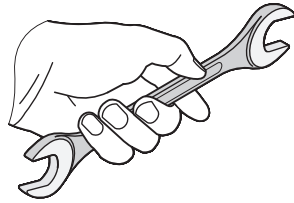
5



(    ) x2



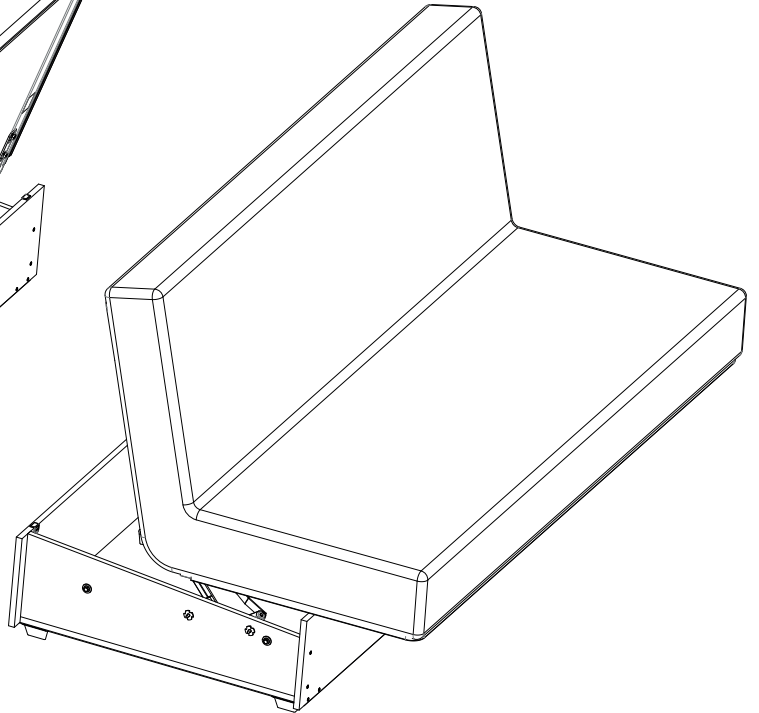
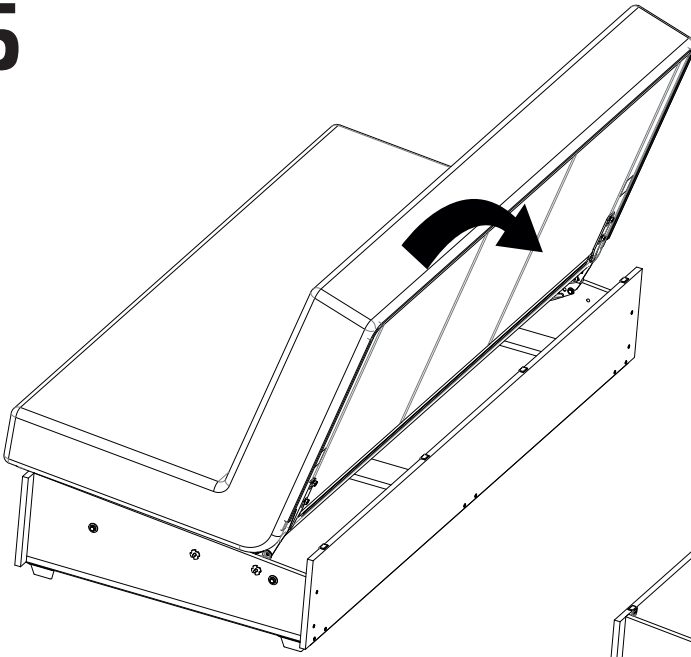
2x



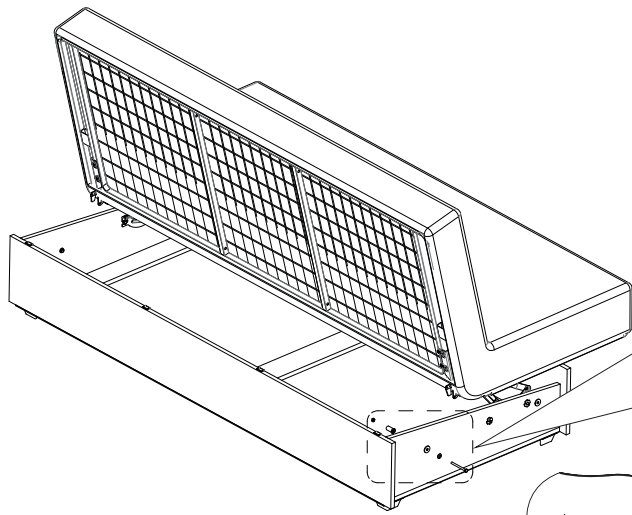
 x2



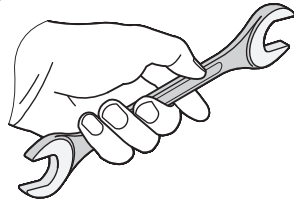
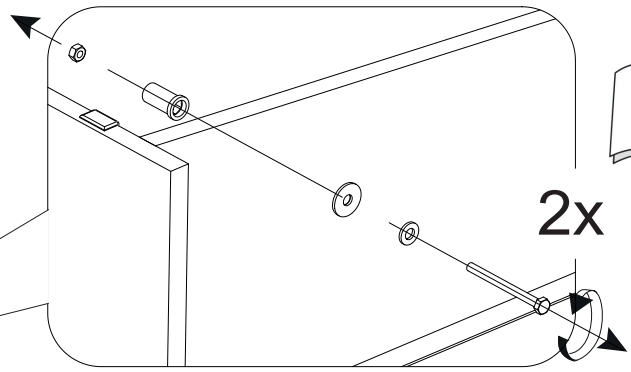
6



# 7



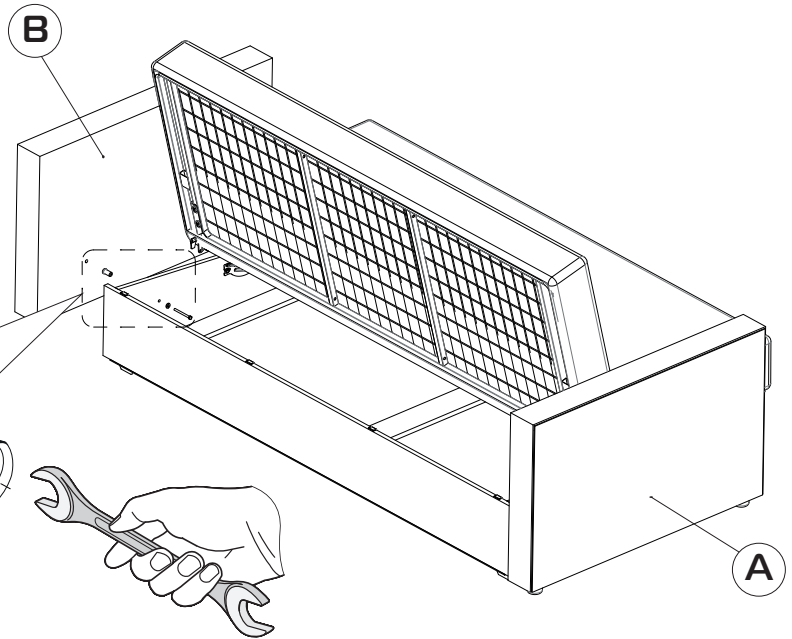
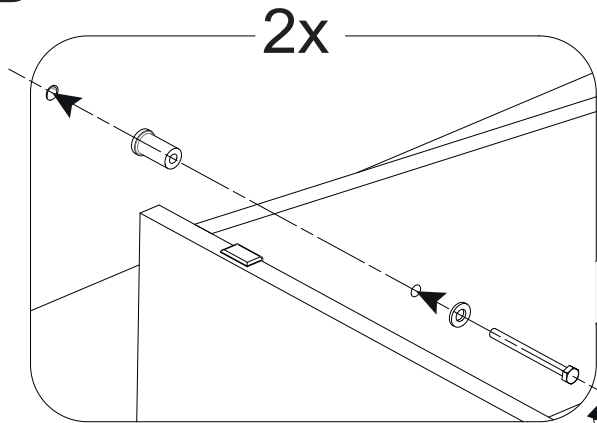
(    ) x2



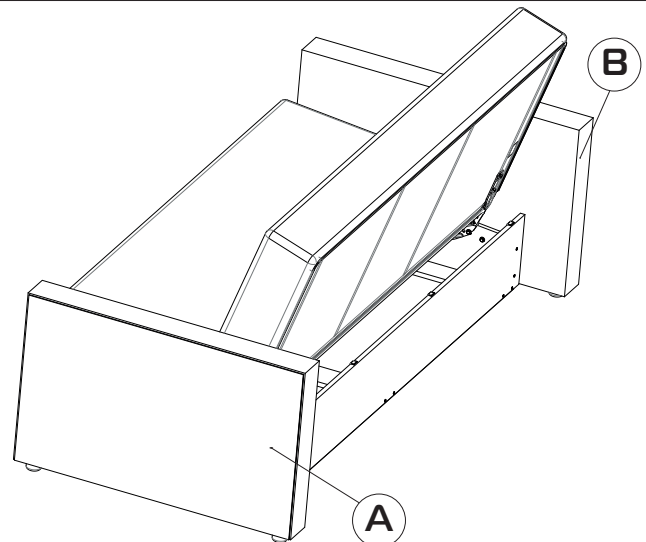
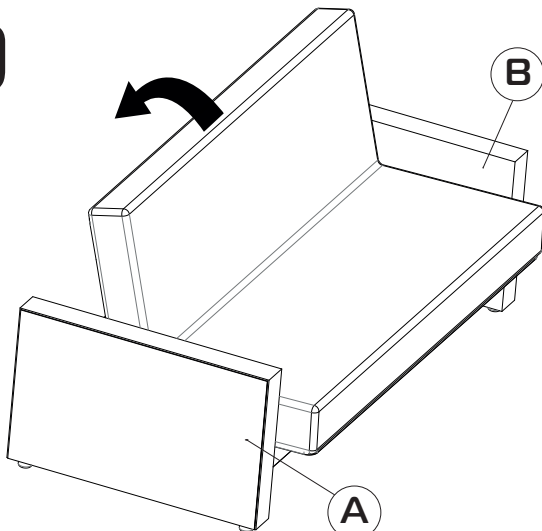
 x2



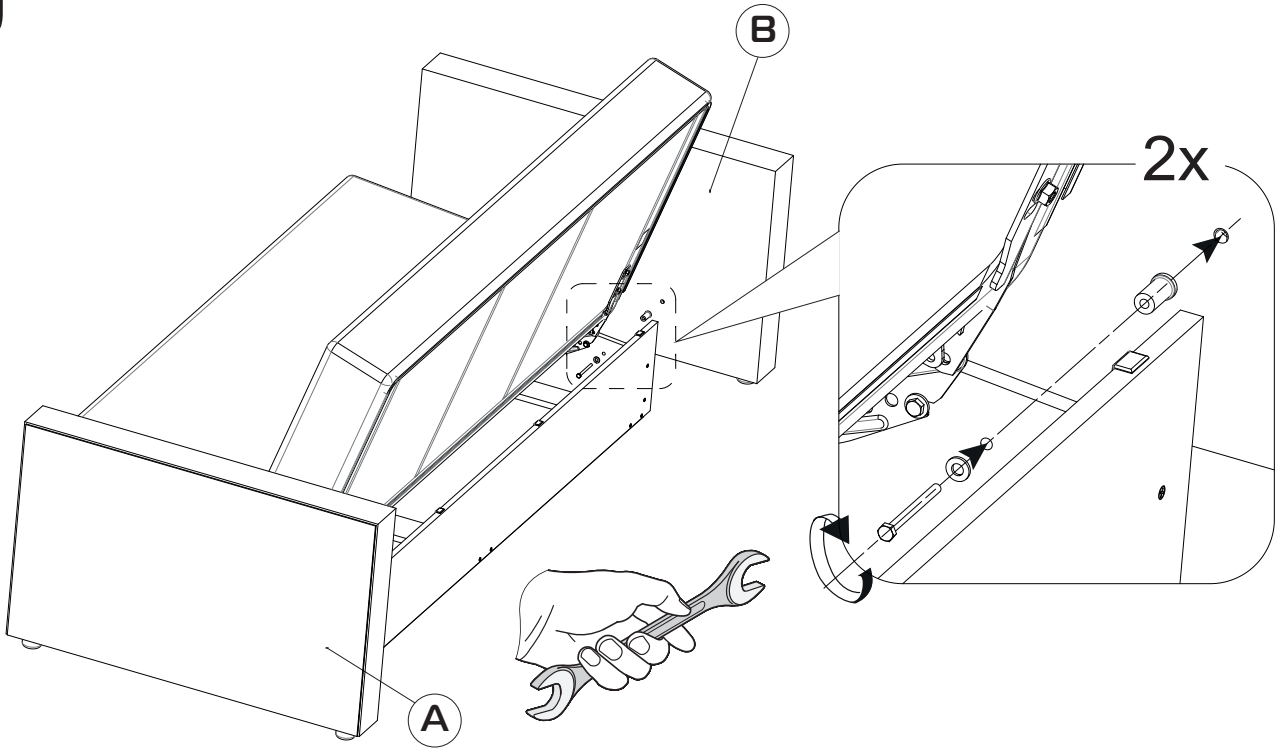
# 8



# 9



10





11

